

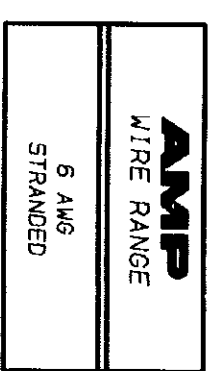
THIS DRAWING IS UNPUBLISHED. RELEASED FOR PUBLICATION
 © COPYRIGHT 19 BY AMP INCORPORATED. ALL INTERNATIONAL RIGHTS RESERVED.

LOC G DIST 14

P F ZONE LTR

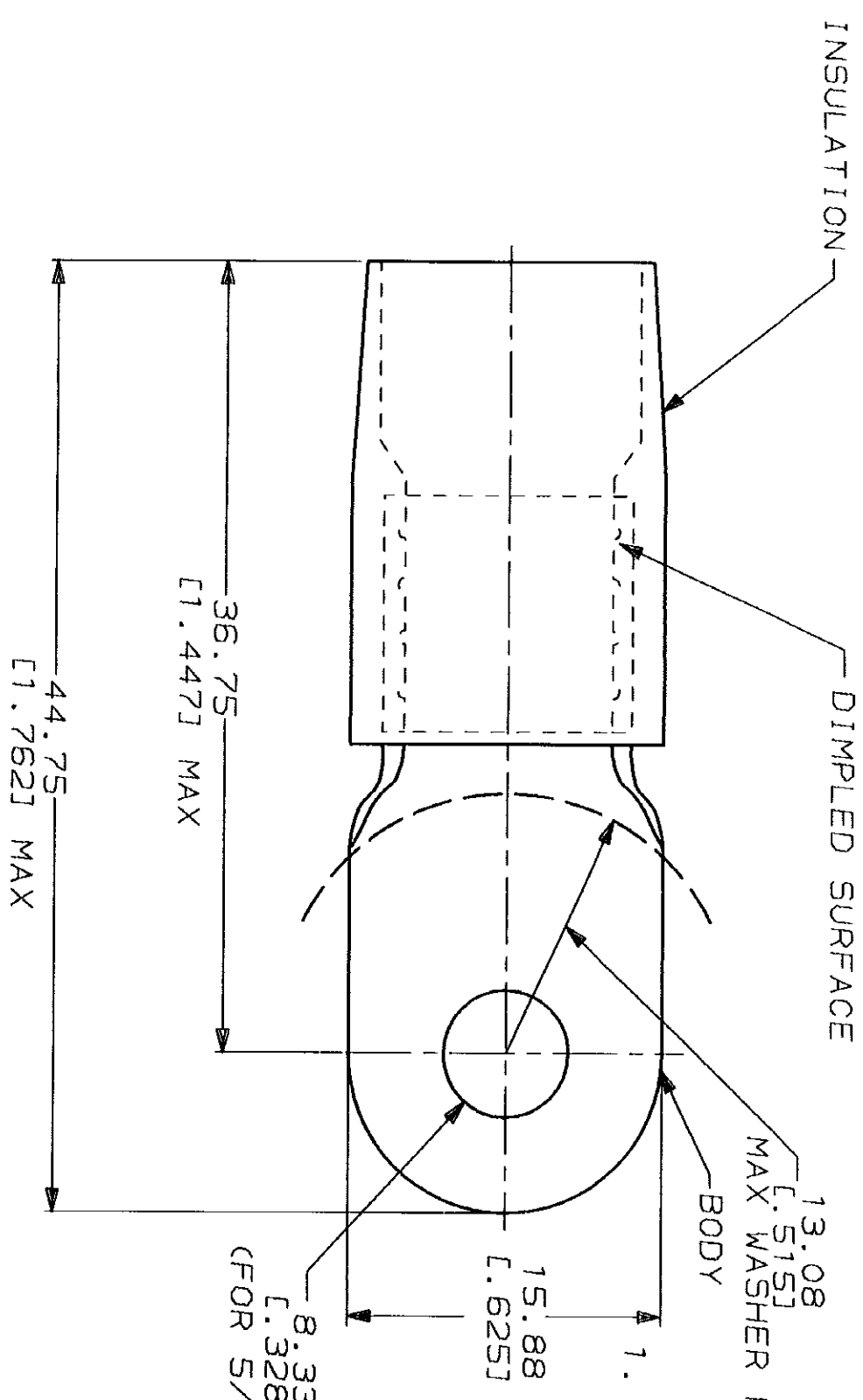
EC 0720-0279-93

REVISIONS		DATE	APPD
	DESCRIPTION	6-18-93	SS ⁶ BB



METRIOR
 DIMENSIONS LISTED IN mm [INCHES]

1. TONGUE MATERIAL THK 1.14±0.08 [0.045±.003]
 FOR 7.98 [0.314] MAX WIRE INS DIA



**AMP INCORPORATED
 CUSTOMER SERVICE SYSTEMS**

FOR ADDITIONAL PRODUCT INFORMATION OR COPIES OF DRAWINGS AND TECHNICAL DOCUMENTS
 1-800-522-6752
 PRODUCT INFORMATION CENTER

FOR APPLICATION TOOLSING ASSISTANCE CENTER
 1-800-722-1111

FOR ORDER ENTRY
 1-800-526-5142

MAX RECOMMENDED OPERATING TEMPERATURE: 105°C

VOLTAGE RATING: -

CIRCULAR MIL AREA: 10.5-16.8mm² [20, 800-33, 100] STRANDED

MS25036-121 CLASS 2

MILITARY P/N AND CLASS

DO NOT SCALE PRINT. UNLESS SPECIFIED DIMENSIONS IN MILLIMETERS - TOLERANCES ON: 1. PLC DEC # 0.20 [0.008] 2. PLC DEC # - 3. ANGLE # -

MATERIAL: COPPER PER ASTM B-152 NYLON (MIL-M-20693) TYPE 1 COLOR: BLUE

FINISH: TIN PLATE PER MIL-T-10727

DR 6-18-93 S.S. GOLDEN

CHK 6-18-93 R. HERSEY

APPD 6-18-93 B. BARE

APPD 6-18-93 M. ELLIS

PRODUCT SPEC

APPLICATION SPEC

WEIGHT -

LOOSE PC 324048

PACKAGE TYPE PART NO

AMP AMP Incorporated
 Harrisburg, PA 17105-3608

NAME: TERMINAL, RING TONGUE, TERMINYL

WIRE SIZE: 6 AWG

SIZE: B

CAGE CODE: 00779

DRAWING NO: 324048

SCALE: NTS

SHEET: 1 OF 1